



# POOL ACCESORIES

Professional-Grade Pool &  
Spa Accessories

PRODUCT CATALOG

# DECK EQUIPMENT



## STANDARD & MIXED TYPE STAINLESS STEEL LADDERS

### PERFORMANCE DATA

Construction	304 Stainless Steel
Max. Load Capacity	300 lb
Finish	High-Gloss Polished
Mounting	Concrete In-Ground (Includes anchor sockets and escutcheons)

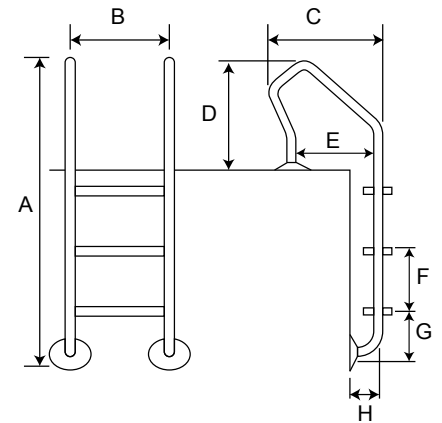
GTIN-13 (E-COMMERCE CODE)	Model	Ladder Type	Treads
7503052037275	PA-ESC-STD1-2P	Standard	2
7503054285681	012-016-A-001		3
7503052037282	PA-ESC-STD1-4P		4
7503052037299	PA-ESC-STD1-3P		3
7503052037244	PA-ESC-MIX1-2P	Mixed	2
7503052037251	PA-ESC-MIX1-3P		3
7503052037268	PA-ESC-MIX1-4P		4



Note: Model PA-ESC-STD1-3P (3-Tread Standard) is exclusively designed for Wooden Deck installations (Flange Mount).

### DIMENSIONS & WEIGHT

MODEL	DIMENSIONS (in)								WEIGHT (lb)
	A	B	C	D	E	F	G	H	
PA-ESC-STD1-2P	51.9	19.4	27	31	N/A	9.8	8.3	7.1	36.4
012-016-A-001	61.8								37.5
PA-ESC-STD1-4P	71.7								38.6
PA-ESC-STD1-3P	61.8								37.5
PA-ESC-MIX1-2P	52.4		21	28	14.4	35.3			
PA-ESC-MIX1-3P	62.2					36.4			
PA-ESC-MIX1-4P	72.0	37.5							



# DECK EQUIPMENT



## RESIN A-FRAME LADDERS (ABOVE-GROUND POOLS)

### PERFORMANCE DATA

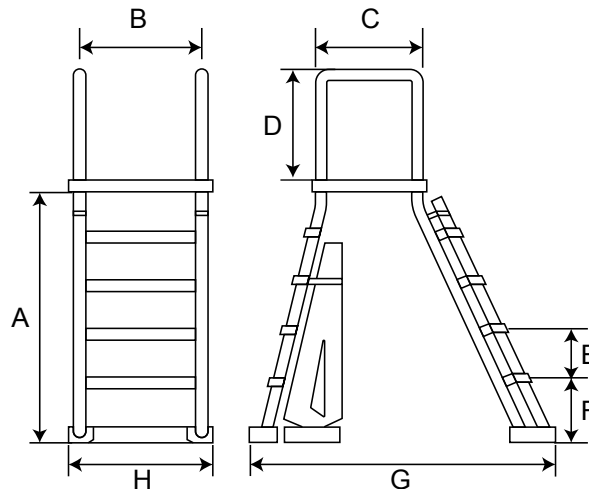
Construction	Polypropylene (PP) Resin with 304 SS Hardware
Max. Load Capacity	300 lbs
Treads	5 per side (Non-slip surface)

GTIN-13 (E-COMMERCE CODE)	Model	Description	Compatibility
7503052037237	PA-ESC-DAP1-5P	5-Step Removable A-Frame Ladder	Above-Ground / Surface Pools



### DIMENSIONS & WEIGHT

MODEL	DIMENSIONS (in)								WEIGHT (lb)
	A	B	C	D	E	F	G	H	
PA-ESC-DAP1-5P	52.4	15.4	12.9	20.1	10.7	9.5	46.3	17.9	29.9



# DECK EQUIPMENT

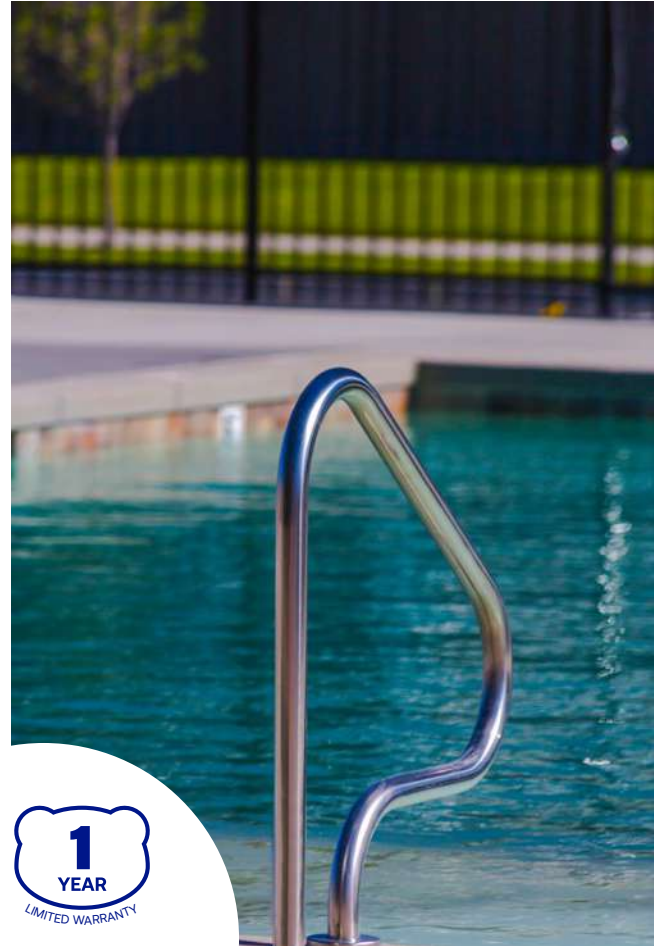


## STAINLESS STEEL GRAB RAILS

### PERFORMANCE DATA

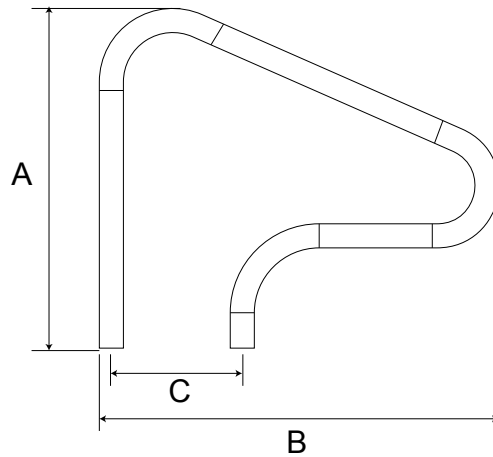
Construction	304 Stainless Steel (1.89" / 48 mm OD Tubing)
Finish	High-Gloss Polished
Mounting	Concrete In-Ground (Cement-in style)

GTIN-13 (E-COMMERCE CODE)	Model	Description
7503052037305	PA-PSM-CURV-D1	Curved Grab Rail (Pair)



### DIMENSIONS & WEIGHT

MODEL	DIMENSIONS (in)			WEIGHT (lb)
	A	B	C	
PA-PSM-CURV-D1	31.5		10.6	12.1



# CIRCULATION & PLUMBING



## HEAVY-DUTY CHECK VALVES

### PERFORMANCE DATA

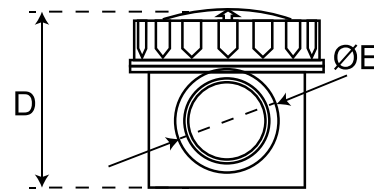
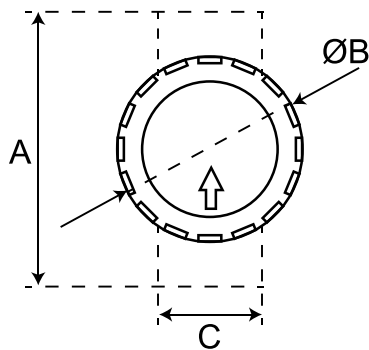
Construction	PVC
Max. Operating Pressure	100 psi
Liquid Temp. Range	41 - 122 °F
Features	UV Resistant, Easy-inspection clear lid

GTIN-13 (E-COMMERCE CODE)	MODEL	CONNECTION (in)	MAX. FLOW RATE (gpm)
7503053144002	PA-VC-1.5PVC-C	1.5 SLIP	66
7503053144019	PA-VC-2PVC-C	2 SLIP	92.5



### DIMENSIONS & WEIGHT

MODEL	DIMENSIONS (in)					WEIGHT (lb)
	A	B	C	D	E	
PA-VC-1.5PVC-C	6.5	4.3	2.4	4.5	1.5	0.9
PA-VC-2PVC-C	7.5	5	2.8	4.9	2	1.1



# CIRCULATION & PLUMBING



## POOL SKIMMERS (CONCRETE & FIBERGLASS)

### PERFORMANCE DATA

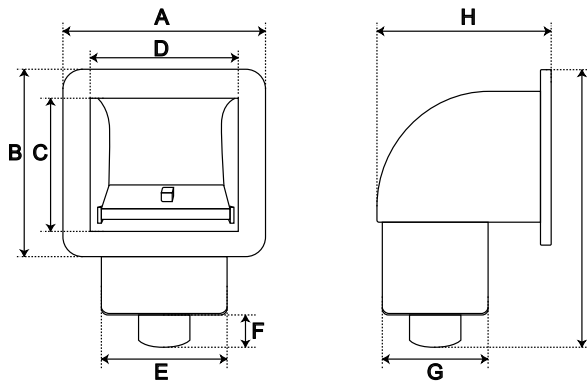
High-impact ABS skimmers equipped with automatic weir doors and large capacity strainer baskets.

Engineered for optimal surface debris removal.



### DIMENSIONS & WEIGHT

MODEL	DIMENSIONS (in)											WEIGHT (lb)
	A	B	C	D	E	F	G	H	I	J	K	
PA-DESN-PBC-2"	11.3	10.5	5.8	8.0	7.7	9.9	15.7	5.2	1.6	21.1	2.7	7.7
PA-DESN-PBC1-SPA	7.7	7.2	4.9	5.4	5.3	2.2	4.5	7.1	12.6	N/A		2.2
PA-DESN-PBC2-M20	9.8	8.7	5.5	8.0	6.6	9.0	14.6	5.8	1.6	16.5	2.5	4.6
PA-DESN-PBC2-M40			6.6	13.8	8.7	15.7	19.9	11.1				6.0
PA-DESN-PBC2-L60	10.7	9.8	3.3	19.7	5.4	21.7	25.6	15.7	1.2	18.6	2.3	10.4
PA-DESN-PBF2-M20	8.1	N/A	5.5	5.9	7.0	8.4	9.4	1.4	N/A	12.6	1.6	5.3
PA-DESN-PBF1.5-S15			5.6	11.8	7.8	14.2	12.9	4.8		13.0	1.6	4.1
PA-DESN-PBF1.5-S30	9.8	8.7	6.0	7.9	7.4	9.8	15.0	6.2	1.6	16.5	2.5	5.1



# MAIN DRAINS & WATER LEVELERS



## AUTOMATIC WATER LEVELERS

Protects pool equipment by maintaining consistent water levels automatically. Essential for infinity edges and systems subject to high evaporation.

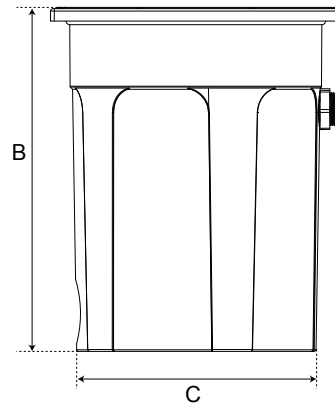
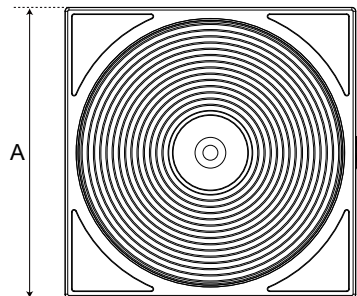
Constructed with a heavy-duty ABS body and reliable internal nylon components.

### PERFORMANCE DATA

Materials:	High-impact ABS body and lid, Nylon internal valves.
Installation:	In-ground concrete or surface mount options.



GTIN-13 (E-COMMERCE CODE)	MODEL	APPLICATION	CONNECTIONS (In/Out) (in)	DIMENSIONS (in)			WEIGHT (lb)
				A	B	C	
7503057609828	PA-TQN-3/4X2-C	In-Ground Concrete	0.75 MPT / 1.75 Slip	9.2	10.8	7.5	2.8
7503057609491	PA-NVL-3/4-S	Surface Mount	0.75 Slip / 0.75 Hose				



# MAIN DRAINS & WATER LEVELERS



## OVERFLOW DRAINS

Efficient drainage solutions for gutter systems and deck runoff. Available in multiple profiles to meet specific architectural and flow requirements.

Features a secure grate design to prevent large debris from entering the plumbing.

### PERFORMANCE DATA

Construction:	ABS Plastic with High-impact UV-resistant plastic.
Connection Type:	Standard Slip (solvent weld) for secure plumbing integration.



GTIN-13 (E-COMMERCE CODE)	MODEL	PROFILE	GRATE SIZE (in)	CONNECTION (in)
7503057609859	PA-DREB4-PLCIR1.5	Round	4	1.5
7503057609866	PA-DREB4-PLREC1.5	Rectangular	4 × 2	
7503057609873	PA-DREB4-PLCIR2	Round	4	2
7503057609880	PA-DREB4-PLREC2	Rectangular	4 × 2	



# MAINTENANCE & CLEANING

## PRO-GRADE MAINTENANCE KITS

Complete, pre-packaged cleaning sets designed for immediate pool maintenance. Ideal for retail shelves and new pool handovers.



GTIN-13 (E-COMMERCE CODE)	MODEL	TEST KIT	THERMOMETER	VACUUM HEAD	POOL BRUSH	NET / SKIMMER	EXTRA
7503052592491	PA-KIT/MTTO-5P-1	Cl/pH	6" Floating	14" Flexible (w/ wheels)	18" Curved (SS Handle)	HD Flat Skimmer	--
7503052592507	PA-KIT/MTTO-5P-2	Cl/pH	Floating (Std)	Curved (w/ side bristles)	18" Curved (SS Handle)	HD Leaf Rake (Deep Bag)	--
7503052592521	PA-KIT/MTTO-5P-4	Cl/pH	10" Floating	ABS Grip (w/ nylon bristles)	18" Curved (SS Handle)	HD Flat Skimmer	--
7503052592538	PA-KIT/MTTO-6P-1	Cl/pH	10" Floating	Curved ABS	18" Curved (SS Handle)	HD Flat Skimmer	Includes Manual Scrub Brush

## TELESCOPIC POLES

Heavy-duty anodized aluminum poles. Features secure locking cams for easy extension and reliable accessory attachment.



GTIN-13 (E-COMMERCE CODE)	MODEL	SECTIONS (piece)	LENGTH (COLLAPSED - EXTENDED) (ft)	MATERIAL
7503057609507	PA-MANET-A2.4M/2S	2	4 - 8	Aluminum
7503057609514	PA-MANET-A3.6M/2S		6 - 12	
7503057609835	PA-MANET-A7.5M/3S	3	8 - 25	
7503057609842	PA-MANET-A9M/3S		10 - 30	

## VACUUM HEADS

Engineered for concrete, vinyl, and fiberglass surfaces. (Fits standard 1.5" vacuum hoses).



GTIN-13 (E-COMMERCE CODE)	MODEL	SHAPE / TYPE	LENGTH (in)	FEATURES (WHEELS/BRISTLES)
7503057609699	PA-ASPIREC-PL14	Rectangular	14	Polyurethane Wheels, Plastic Axle
7503057609705	PA-ASPIREC-PL19		19	
7503057609682	PA-ASPIREC-PL5	Rectangular (Handheld)	5	Includes 48 inches mini-pole
7503057609712	PA-ASPITRI-PL12C	Triangular (Vinyl/Fiberglass)	12	Plastic Bristles
7503057609729	PA-ASPIOV-PL6C	Oval	6	
7503057609675	PA-ASPIREC-PL3C	Rectangular	3	

# MAINTENANCE & CLEANING

## POOL BRUSHES

Durable cleaning brushes available in nylon (for delicate surfaces) and stainless steel (for aggressive algae removal on plaster/concrete).



GTIN-13 (E-COMMERCE CODE)	MODEL	STYLE	LENGTH (in)	BRISTLE MATERIAL	HANDLE MATERIAL
7503057609606	PA-CEP-36CU-CN-INX	Curved	36	Nylon	Stainless Steel
7503057609590	PA-CEP-24CU-CN-INX		24		
7503054318983	PA-CEP-CU18-CN-MX		18		
7503054318976	PA-CEP-CU18-CX-MX		18		
7503057609583	PA-CEP-10RE-CX-PL	Straight	10	Stainless Steel	Plastic
7503057609576	PA-CEP-5RE-CX-INOX		5		Stainless Steel
7503057609569	PA-CEP-5RE-CX-PL				Plastic

## LEAF SKIMMERS & RAKES

Is a Essential pool maintenance tools used to remove debris like leaves, bugs, and twigs from swimming pools. They attach to telescopic poles, with skimmers being flat nets for surface debris, while rakes feature deeper mesh bags for collecting sunken leaves and heavy debris from the bottom.



GTIN-13 (E-COMMERCE CODE)	MODEL	TYPE	SHAPE	NET/FRAME MATERIAL	HANDLE MATERIAL
7503057609637	PA-REDBOLSA-ALUM-O	Leaf Rake (Deep Bag)	Oval	Plastic Mesh / Frame	Aluminum
7503057609620	PA-REDBOLSA-PLAS-O				Plastic
7503057609651	PA-REDPALA-ALUM-C	Leaf Skimmer (Flat)	Square		Aluminum
7503057609668	PA-REDPALA-PLAS-C				Plastic (w/ Magnet)

# SPA ACCESSORIES & INSTALLATION HARDWARE

## WIRING & SERVICE JUNCTION BOXES

Heavy-duty ABS junction box designed for safe access and protection of underwater lighting connections. Engineered for high-moisture environments with a focus on long-term serviceability.



Material	Flame-Retardant ABS Plastic
Protection	Weather-resistant sealed lid with gasket
Ports	3/4" FPT (Female Pipe Thread)



GTIN-13 (E-COMMERCE CODE)	MODEL	APPLICATION	LENGTH (in)	WIDTH (in)	HEIGHT (in)	WEIGHT (lb)
7503053191457	PA-REG-CONEX3/4-B	Service/Wiring Access	4.72	4.33	3.64	0.3

## PNEUMATIC AIR BUTTONS (SPA CONTROL)

Manual air-pulse trigger designed for remote activation of spa blowers and pumps. Provides a safe, non-electric interface at the water's edge, ideal for fiberglass and acrylic spa installations.



Features	UV-resistant body, Chrome-plated protective cover
Signal Type	Pneumatic (Air Pulse)
Max Range	20 ft
Mounting Thread	1 in



GTIN-13 (E-COMMERCE CODE)	MODEL	APPLICATION	BODY DIAMETER (in)	TOP DIAMETER (in)	OVERALL HEIGHT (in)	WEIGHT (oz)
7503053191440	PA-BOTON-NEUM	Spa Hydromassage Control	1.26"	1.81"	2.52"	1.1